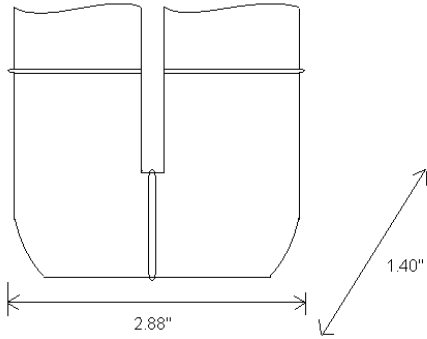
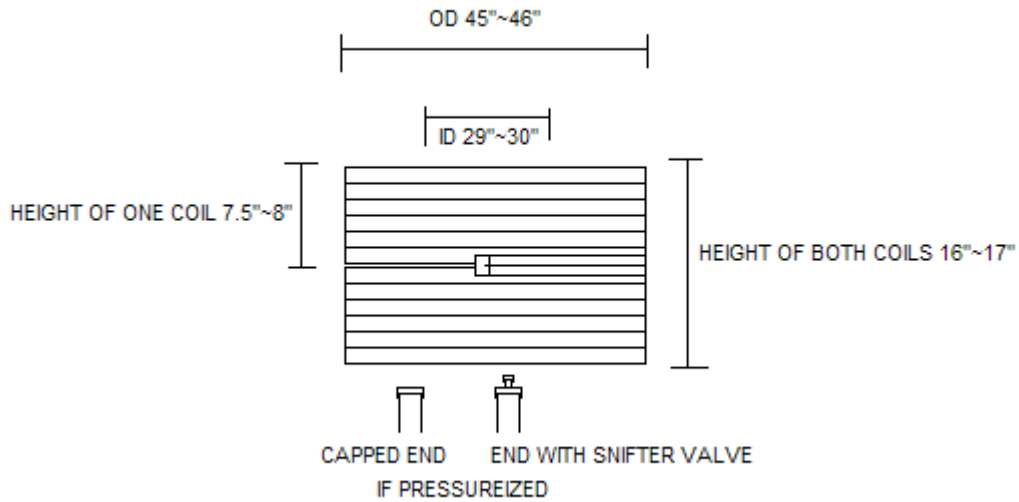


1" GEO UNI COIL

TYPICAL PRESSURE IN A PRESSUREIZED COIL IS 80~110PSI
ALL TAIL ENDS ARE TUCKED IN
ALL MEASUREMENTS ARE APPROX.
PLEASE ENSURE ALL LOCAL AND FEDERAL LAWS/RULES ARE COMPLIED WITH



U-bend Measurements
ALL MEASUREMENTS ARE APPROXIMATE



ALL ENDS ARE TUCKED INTO THE ID OF THE COIL